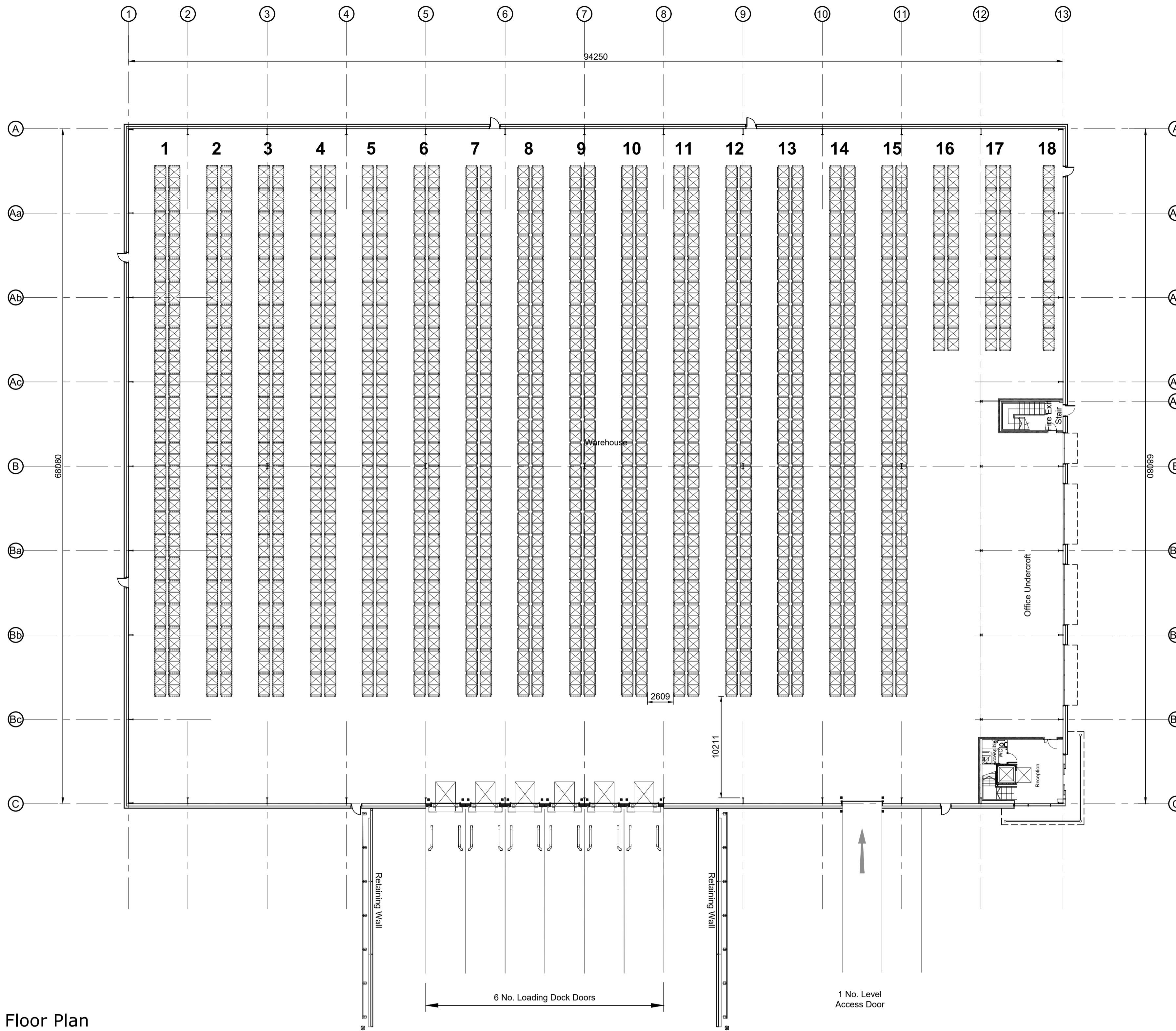
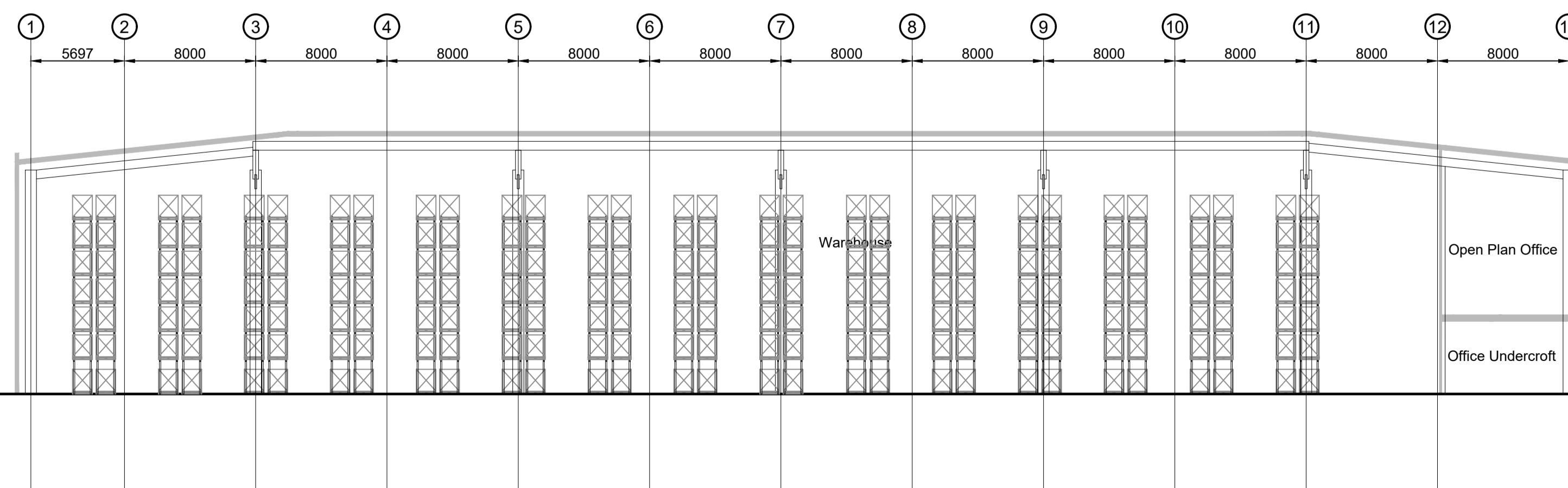


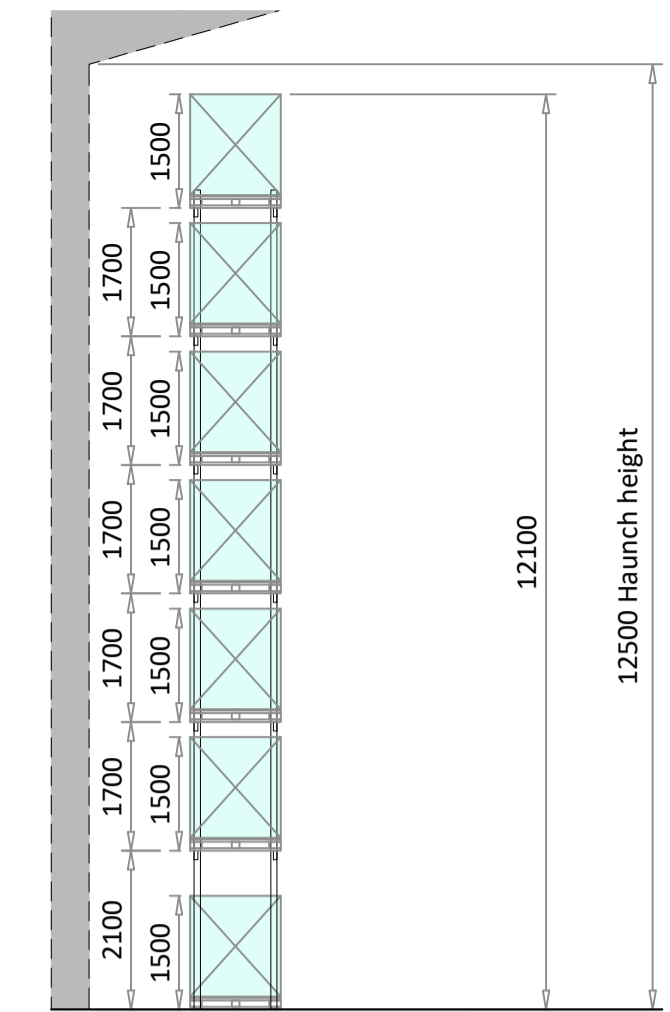
- Dimensions are in millimeters, unless stated otherwise.
 - Scaling of this drawing is not recommended.
 - It is the recipient's responsibility to print this document to the correct scale.
 - All relevant drawings and specifications should be read in conjunction with this drawing.



Ground Floor Plan
 Scale 1:250



Typical Section
 Scale 1:250



Pallet Schedule

46 pallets per row
 30 Rows @ 7 pallet high

(46x30x7h = 9,660)

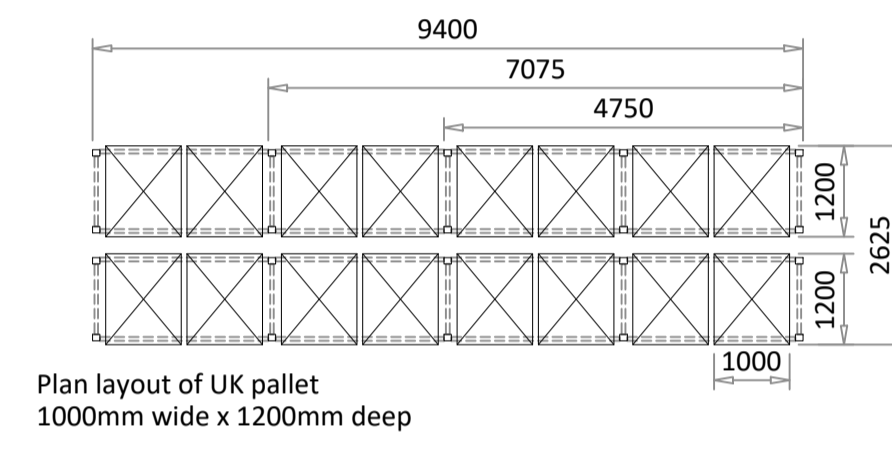
16 Pallets per Row
 5 Rows @ 7 pallet high

(16x5x7h = 560)

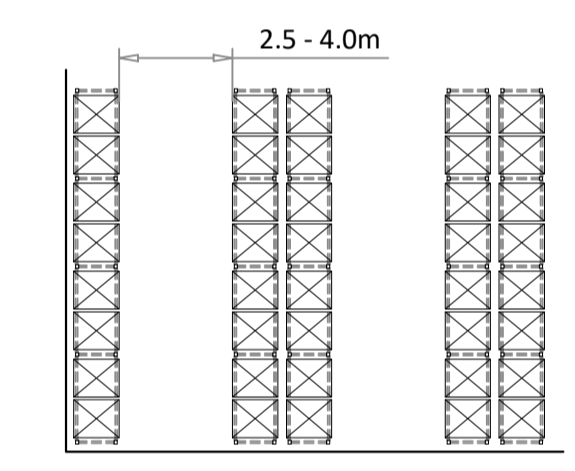
9660 + 560 = 10,220

Minus Steel Columns + walkways
 FE routes = -96

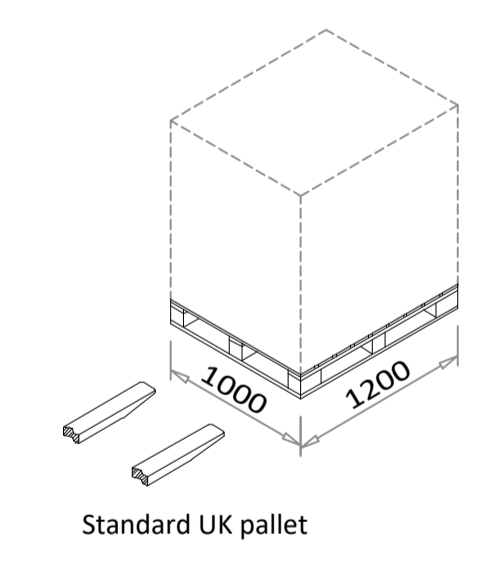
GRAND TOTAL = 10,124 Pallets



Plan layout of UK pallet
 1000mm wide x 1200mm deep



Wide aisle pallet racking
 Aisle width 2.5 - 4.0 metres
 40% space utilisation



Standard UK pallet

rev	amendments	by	ckd	date
A	Initial Issue			MY DEB 05.12.18

Stonecross Park, Golborne

Unit 2 Indicative Racking Layout



Pall Mall Court, 61-67 King Street, Manchester, Greater Manchester, M2 4PD
 +44 (0)161 618 1030 +44 (0)1636 653010 info@umcarchitects.com

Drawing Status:	Feasibility
Drawn / Checked:	MY / DEB
Date:	12/02/2019
Scale:	1:250 A1
Drawing no:	Revision:
17138 F024	A

